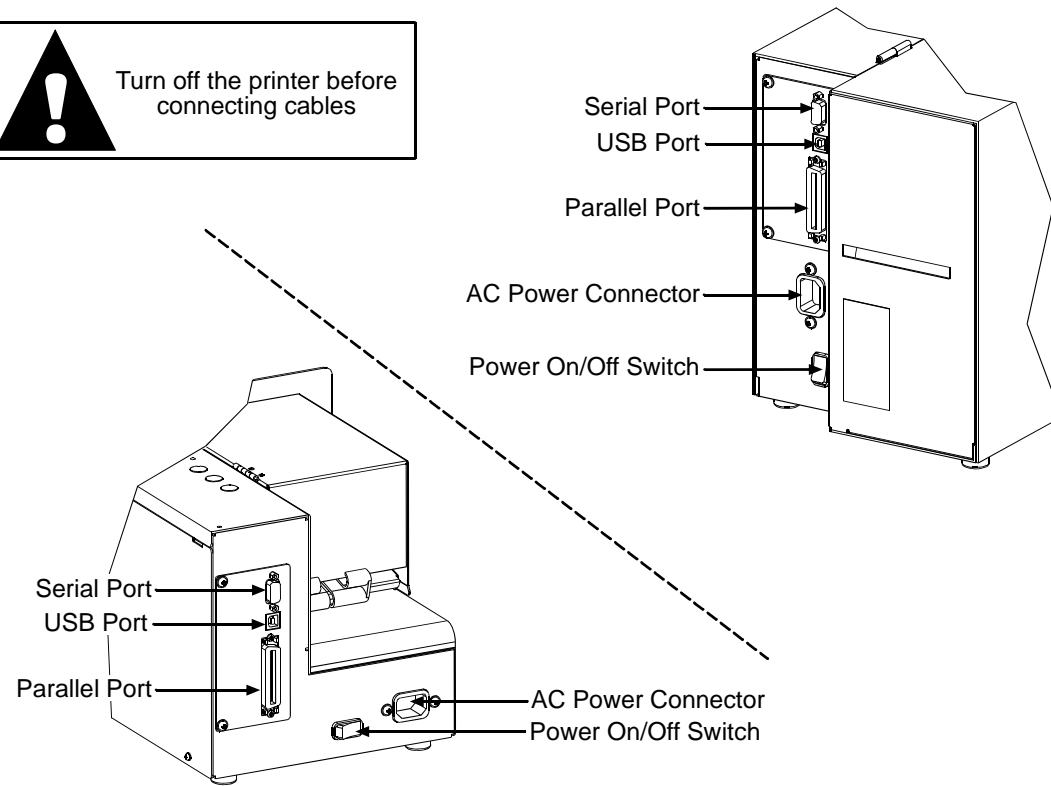
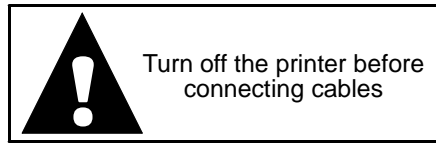


1

Connecting the Printer



2

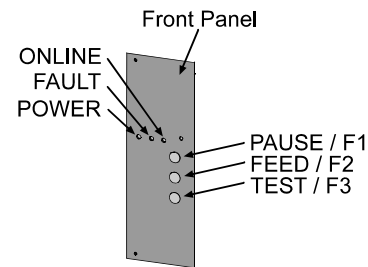
Controlling the Printer

Indicator Lights:

- ONLINE** Indicates the printer is ready to accept data.
- FAULT** Indicates no ticket stock is detected or that a mechanical malfunction has occurred.
- POWER** Indicates that main power to the printer is 'On.'

Buttons:

- PAUSE / F1** Allows the operator to temporarily stop printing (pause mode) or to enter off-line mode.
- FEED / F2** Allows the operator to advance the ticket stock to the next print position.
- TEST / F3** Allows the operator to print test tickets when the printer is in off-line mode.



Note: More information on the Front Panel can be found in Section 3.4 of the Operator's Manual.



ST/SV 3210 & ST/SV 3306

Quick Start Guide

Corporate Headquarters
4501 Parkway Commerce Blvd.
Orlando, FL 32808
Phone: 407-578-8007
Fax: 407-578-8377



Asia-Pacific
19 Loyang Way
#01-01 CILC Building
Singapore 508724
Phone: +65 542-2611
Fax: +65 542-3611

Datamax International
Herbert House
12 Elizabeth Way, Pinnacles
Harlow, Essex CM19 5FE UK
Phone: +44 1279 772200
Fax: +44 1279 424448

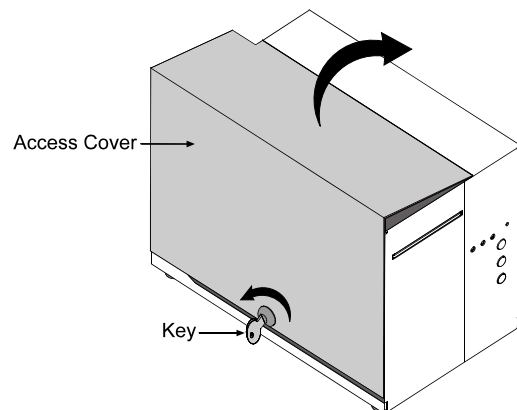
For the latest products, news, and support visit our web page at

www.datamaxcorp.com

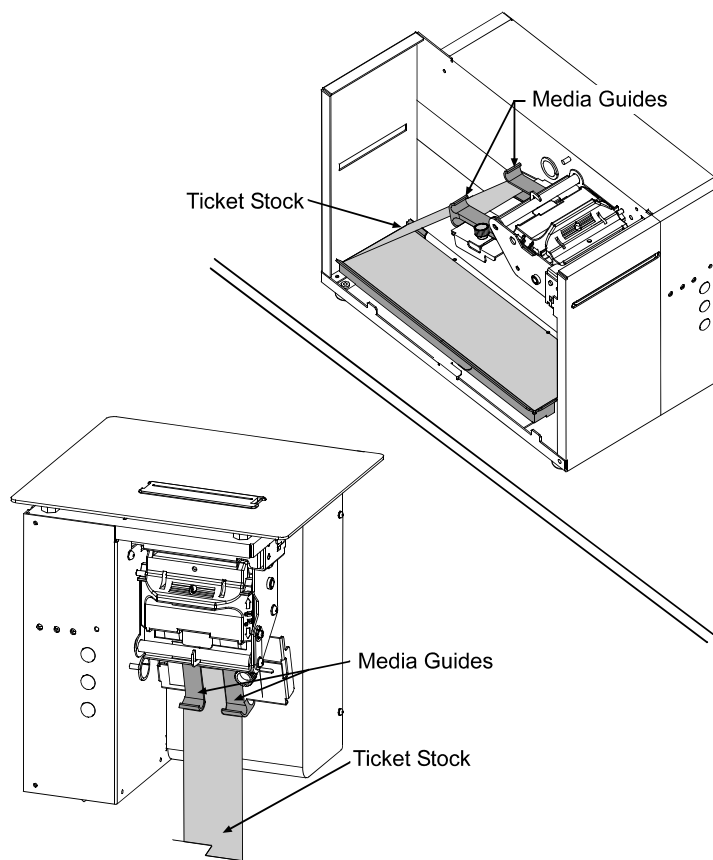
3

Loading Ticket Stock

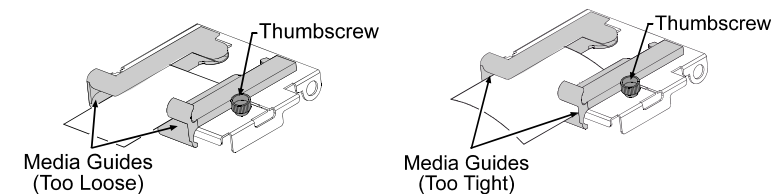
- ST Models only: Unlock the Access Cover then lift to open (for convenience, the cover may be removed by sliding it forward and then lifting up).



- Install Ticket Stock and insert it between the Media Guides.



- Adjust the Media Guides to fit the Ticket Stock, then tighten the Thumbscrew to secure.



- Turn 'On' the Power Switch.
- Slide the media through the Media Guides, continue until the printer grabs the media and automatically completes the loading process.

Note: When loading, ensure that the black marks on the ticket stock face away from you. If the ticket stock does not feed to the proper position, the Media Sensor may need adjustment (see Section 4 of the Operator's Manual for instructions).

4

Printing a Configuration and Test Pattern Ticket

- With the Power Switch turned 'Off' and ticket stock loaded, press and hold the FEED Button while turning the Power Switch 'On.' Continue to depress the FEED Button until printing begins.
- After printing is complete, cycle the Power Switch 'Off' and 'On' to return the printer to the normal operating mode.

Note: The printer maintains a selection of user-modifiable ticket setups, each with a specific print width, start of print position, and cut/tear position. The default setting for these setups is Stock ID 5 (see Section 4 of the Operator's Manual for details).

5

Additional Information



Be sure to follow and perform the suggested cleaning schedule explained in the Operator's Manual.

Contacting Datamax...

Corporate Headquarters (407) 578-8007
Technical Support (407) 523-5540

For the latest products, news, and support visit our web page at www.datamaxcorp.com